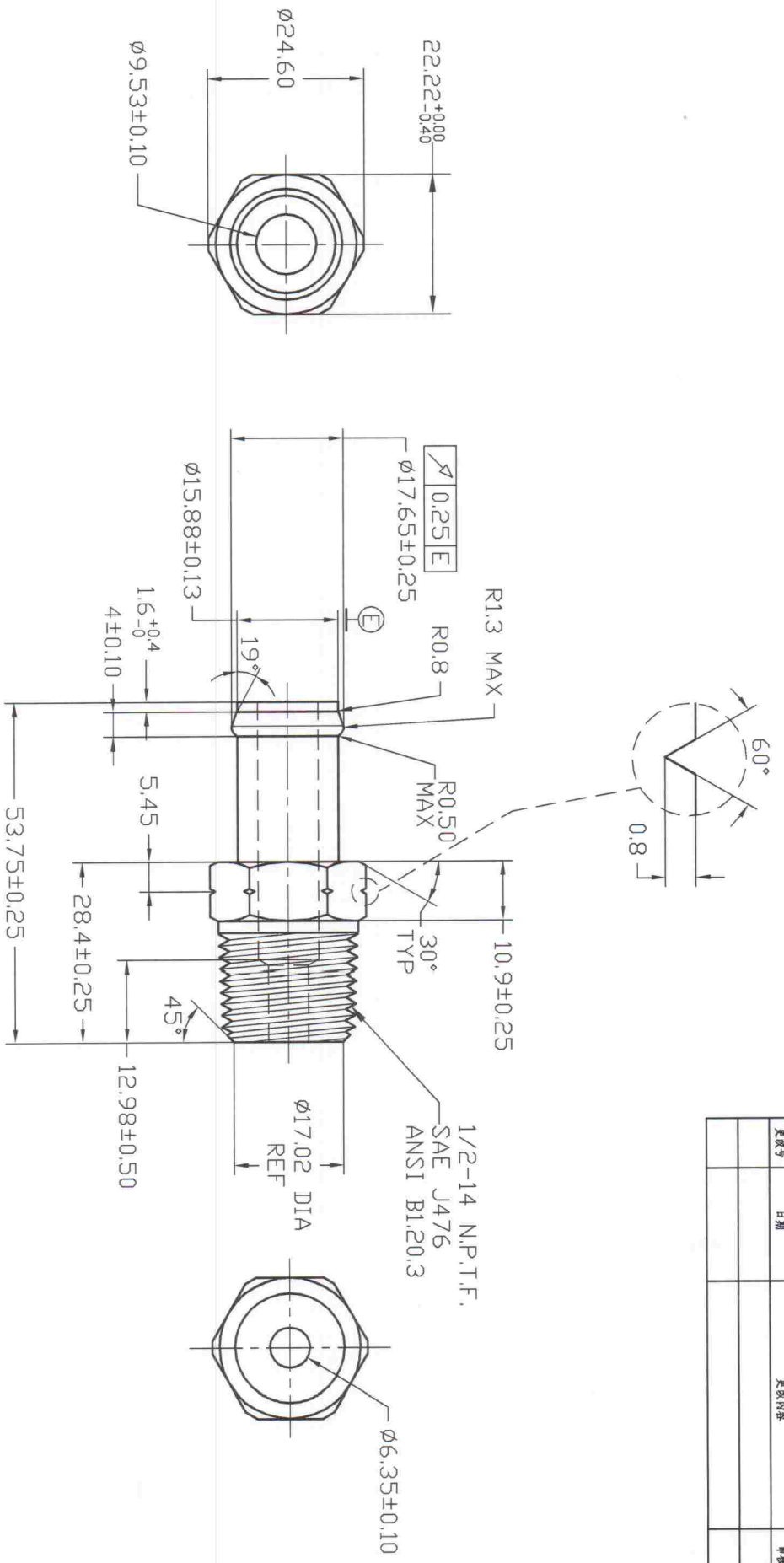


REV	DATE	REVISION DETAILS	APPD
更改号	日期	更改内容	审核并批准



UNLESS SPECIFIED
 ALL DIMENSIONS IN mm
 MACHINED SURFACES Ra=3.2um
 ANGLE TOLERANCES ±1°
 DECIMAL TOLERANCES:
 .X: ±0.5
 .XX: ±0.25
 .XXX: ±0.127

未注公差
 图示尺寸单位为mm
 表面粗糙度Ra=3.2um
 角度公差±1°
 小数部分公差:

.X: ±0.5
 .XX: ±0.25
 .XXX: ±0.127

MATERIAL	Chinese steel 45	SCALE:	NTS	APPD:	Zhangjian	DRN:	Tanghailin
FINISH	Remove all sharp edges, burrs, slivers and swarf, break all edges 0.127-0.254mm. ZINC PLATED WITH TRIVALENT CHROMATE AND NO RBD CORROSION IN 96 HOURS SALT SPRAY TEST.	PART No	零件名	DATE:	26/04/13	CHK:	LJJunBiao

去除所有毛刺，钝角，碎屑，破边厚度0.127-0.254mm。
 镀三价铬，银白色，96小时盐雾试验无红锈。